



**RIV 7641**

---

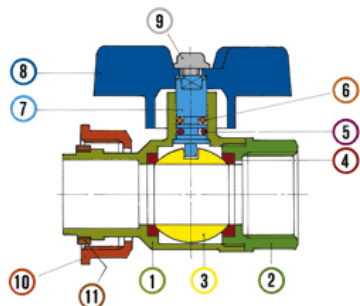
## Tech drawings and tables

---

## Advantages

## Technical data

Art. 7564



### Materials

Part No.	Part Name	Material	Notes
1	Body	Brass	CuZn40Pb2
2	Body end	Brass	CuZn40Pb2
3	Ball	Brass	CuZn40Pb2 Chrome-plated
4	Seats	P.T.F.E.	
5	O-Ring	FKM	
6	O-Ring	NBR	
7	Stem	Brass	CuZn39Pb3
8	Butterfly handle	Aluminium	GD-AISI12Cu2Fe Yellow
9	Screw	Steel	Zinc-plated
10	Swivel nut	Brass	CuZn40Pb2
11	Screwed ring	Brass	CuZn39Pb3

### Connections

Female ISO 7/1Rp (parallel), screwed ring ISO 228/1

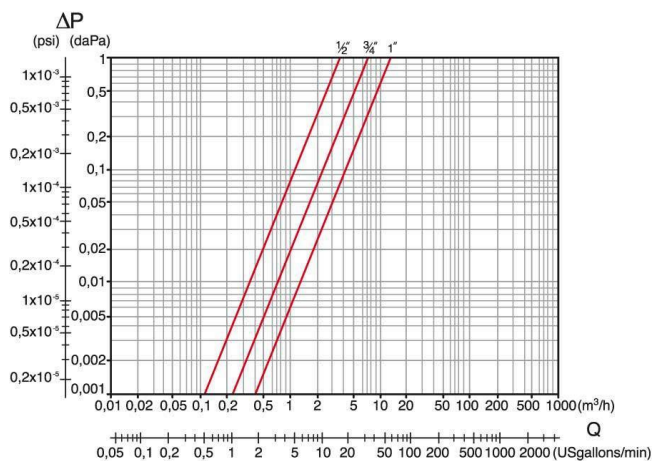
### Limit

-20°+70° (without liquid)

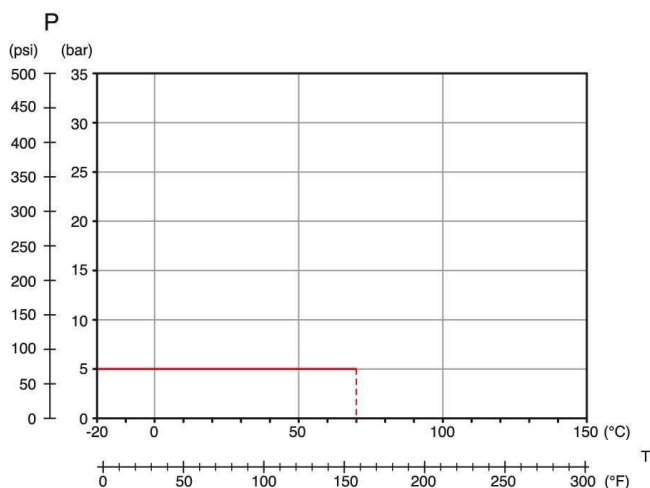
### Notes

The max.working pressure (PN) means at a room temperature of about 23°C.

## Pressure Loss Chart



## Temperature/Pressure



## Kv & Cv Coefficients

### Size Kv Cv

1"	42,0	-
3/4"	24,0	-
1/2"	11,5	-

## Approvals



RIV Rubinetterie Italiane Velatta S.p.A. - Via delle Acacie, 8 Zona Industriale D4 - 28075 GRIGNASCO (NO) - ITALY  
Tel +39 0163 4151 Fax +39 0163 411914 E-mail riv-vg@riv-vg.com Web www.riv-vg.com

Capitale sociale € 516.000 i.v. - Reg. Imprese di Novara N° 00469610026 - R.E.A. di Novara N° 170397  
Numero Meccanografico NO009263 - Codice Fiscale: 00469610026 - Partita IVA: IT 01399720034

